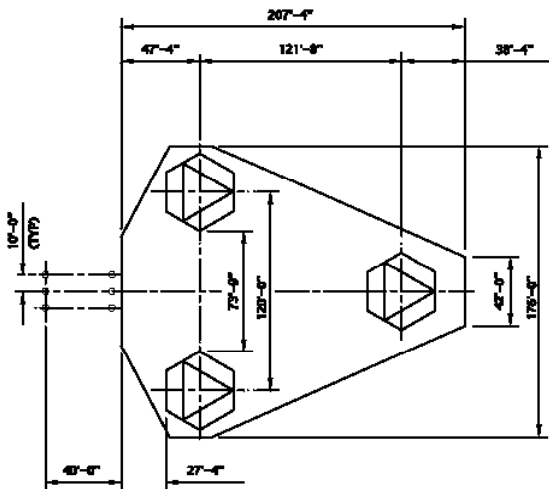


CLASS 82-SD-C



HULL DEPTH.....	20 FT.
WATER PLANE AREA	20,300 SQ. FT.
LEG PITCH	27 FT.
SPUD TANK DIA.	40 FT. ACROSS FLATS
SPUD TANK HT.	21' - 4"
SPUD TANK AREA	1,235 SQ. FT.
SPUD TANK VOLUME	10,160 CU. FT.
STORM MAX ELEV. WT.	10,900 KIPS
MAX WATER DEPTH	250 FT.

NUMBER BUILT - 31
1977 - 1985