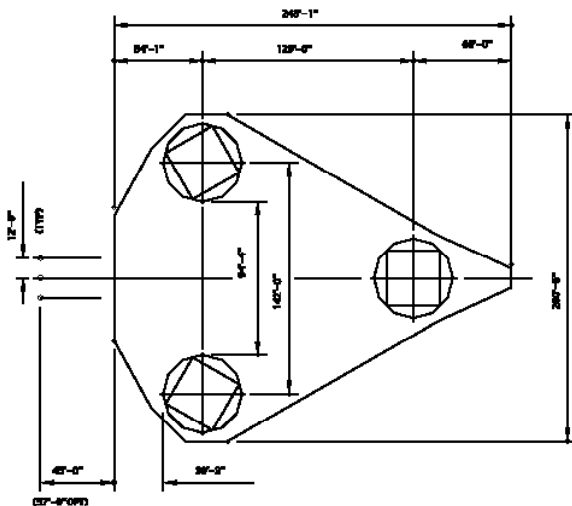


116-C CLASS



HULL DEPTH.....	26 FT.
WATER PLANE AREA	24,020 SQ. FT.
LEG PITCH	30 FT.
SPUD TANK DIA.	46 FT. ACROSS FLATS
SPUD TANK HT.	24 FT.
SPUD TANK AREA	1,546 SQ. FT.
SPUD TANK VOLUME	9,710 CU. FT.
STORM MAX ELEV. WT.	15,100 KIPS
MAX WATER DEPTH	328 FT.

NUMBER BUILT - 39
1978 - 1991